



JUNG PUMPEN COMPLI

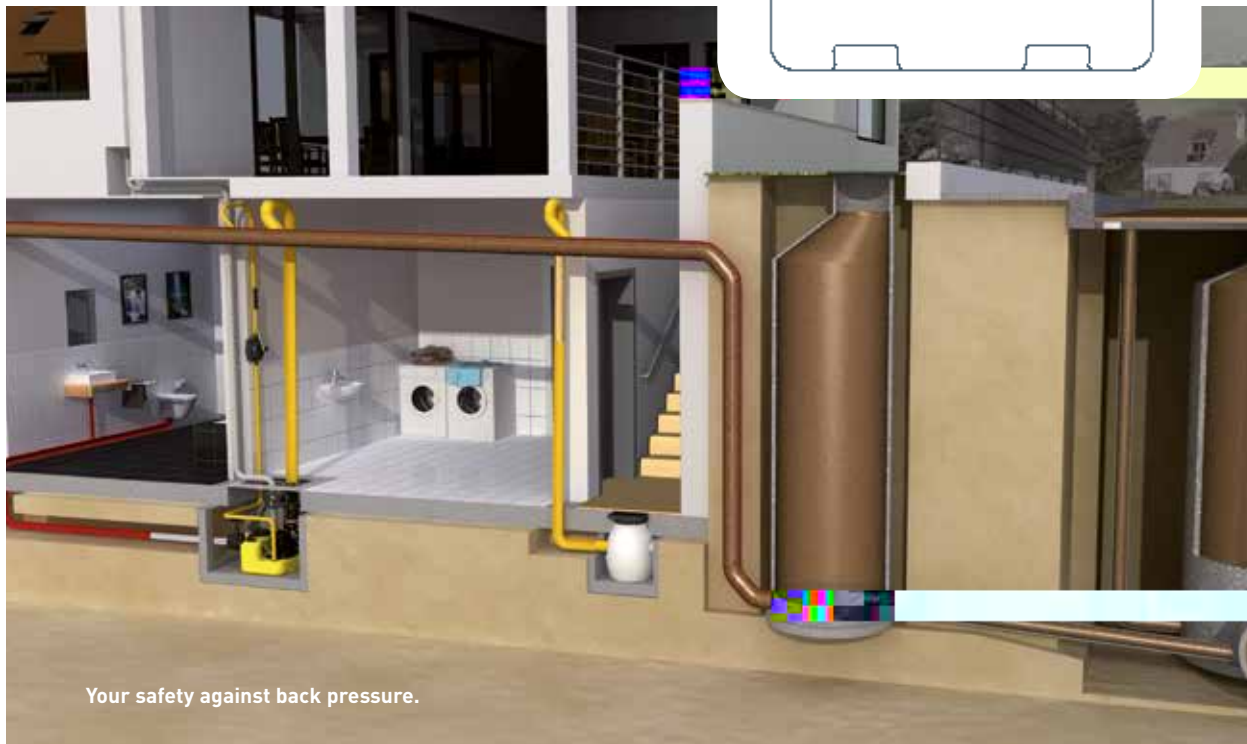
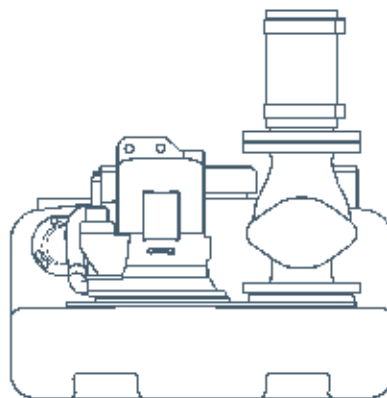
RESIDENTIAL TECHNOLOGY

SEWAGE LIFTING STATIONS





COMPLI SEWAGE LIFTING STATIONS READY TO PLUG-IN • POWERFUL



NUMBERS - DATES - FACTS

compli	Dimensions h x w x d [mm]	Tank capacity [l]	Hmax [m]	Qmax [m³/h]	Free passage [mm]	Inlet height [mm]
Single units						
300 E	445 x 525 x 525	50	10,5	29	50	180
400	445 x 650 x 595	64	7	48	70	180/250
500	600 x 835 x 690	115	20	76	70	variable
100 MultiCut	450 x 500 x 636	38	24	18	7	180/250
500 MultiCut	600 x 835 x 690	115	24	18	7	variable
Duplex units						
1000	600 x 835 x 690	115	20	76	70	variable
1200	800 x 910 x 1010	350	20	76	70	560-700
1500	820 x 910 x 1610	500	22	100	70 / 100	700
2500	820 x 1955 x 1610	2 x 500	22	100	70 / 100	700
1000 MultiCut	600 x 835 x 690	115	24	18	7	variable
Stainless steel units						
1200 Stainless steel	880 x 770 x 1142	270	16	122	80 / 100	700
1400 Stainless steel	985 x 970 x 1375	540	16	122	80 / 100	800
1600 Stainless steel	985 x 970 x 1882	900	16	122	80 / 100	800



Height adjustable clamping flange
compli 400



COMPLI SEWAGE LIFTING STATIONS - CFE sđ pđg-inng fängeFF



PVC inlet sluice valve
DN 100 or DN 150, with pipe sockets
bonded in, for the time-saving and
space-saving direct connection to the
inlet clamping flange.

